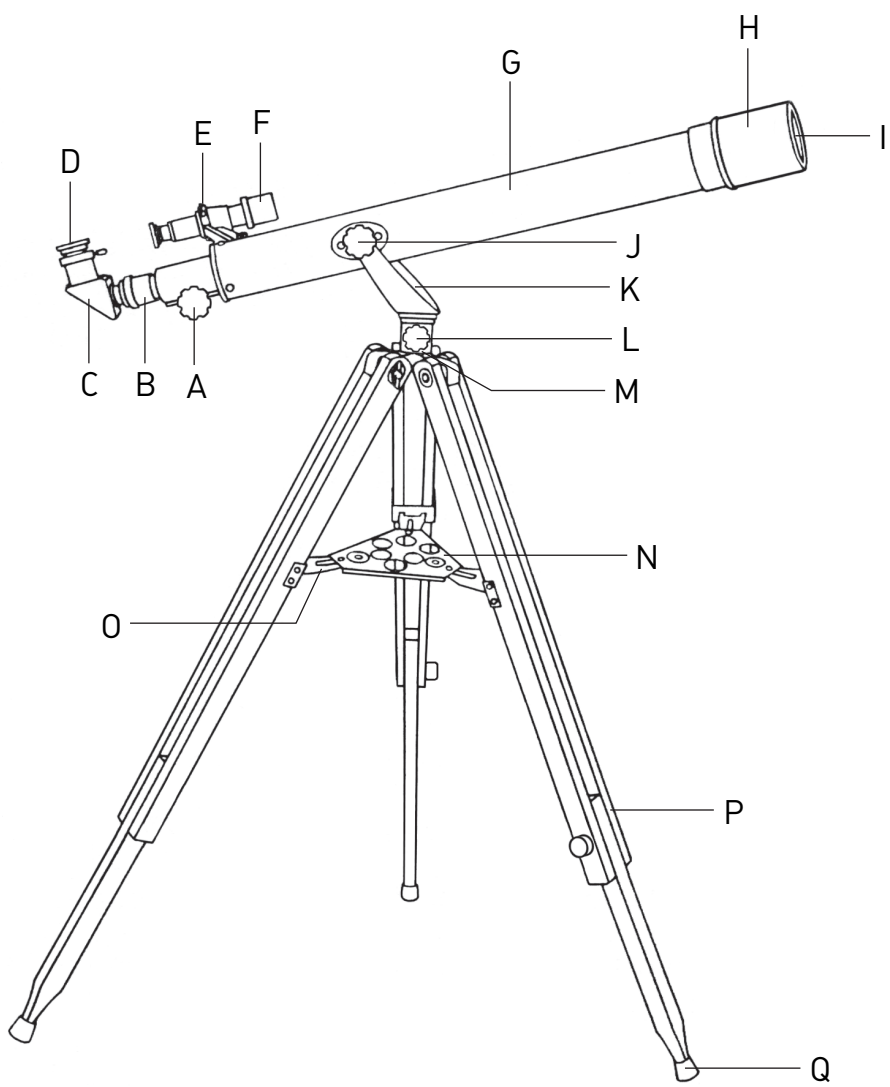


PLANET VIEW TELESCOPE science museum



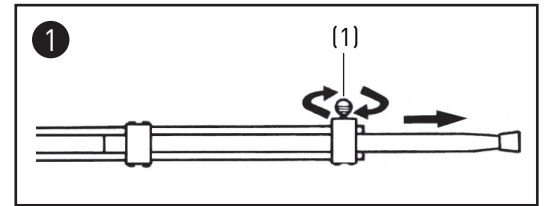
- | | | |
|------------------------|------------------------|-----------------------|
| A. Focus Knob | G. Telescope Main Body | L. Azimuth Lock |
| B. Focusing Tube | H. Sun Shade | M. Tripod Head |
| C. Diagonal | I. Objective Lens | N. Accessory Tray |
| D. Eyepiece | (not shown) | O. Flange |
| E. Finderscope Bracket | J. Yoke Locking Knob | P. Tripod Leg |
| F. Finderscope | K. Yoke | Q. Rubber Tipped Feet |

3

PLANET VIEW TELESCOPE science museum

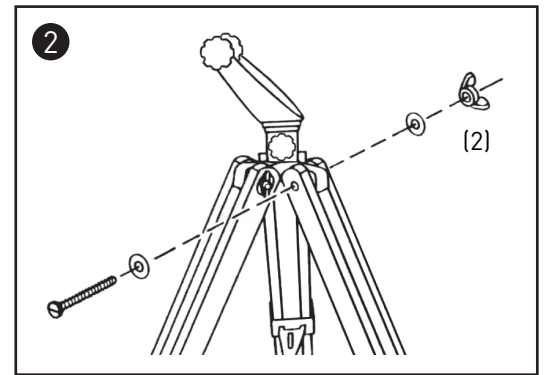
Directions for use

1. Extend the three Tripod Legs (P), and lock them in the adjusted height with the supplied screws (1). (Fig. 1)



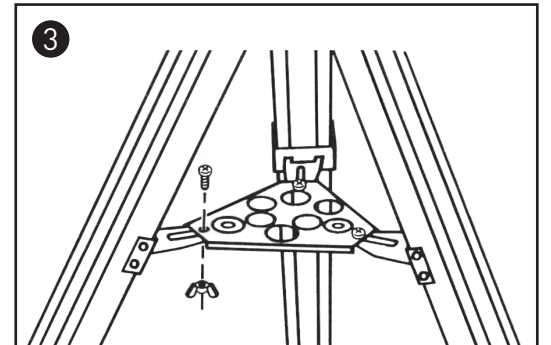
NOTE: When attaching tripod legs, be sure that hinged flange on each tripod leg faces inward. The tripod accessory tray (N) will attach to these flanges.

2. Connect all three tripod legs to the Tripod Head (M) with the wingnuts and screw (2). Before tightening the wingnuts check that there is a washer under-neath. (Fig. 2)

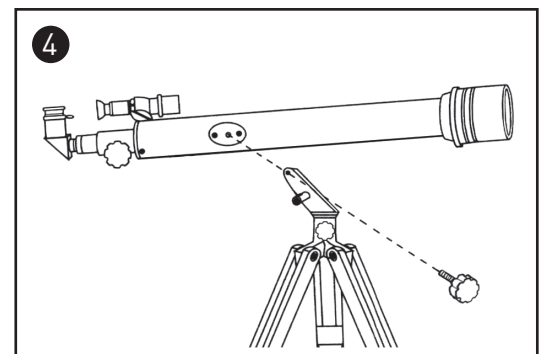


3. Now fasten the Accessory Tray (N) to the flanges of the tripod legs with the supplied screws and wingnuts. (Fig. 3)

NOTE: Flange fits under accessory tray when attached. (Fig. 3).



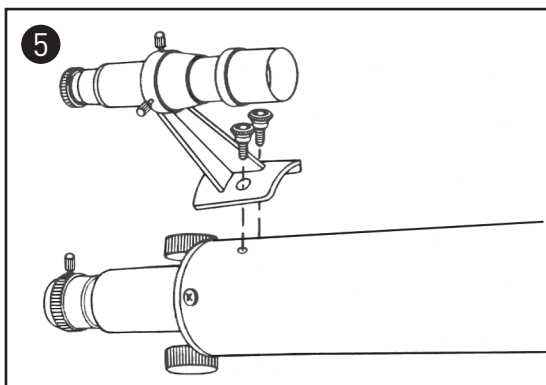
4. After all screws have been firmly tightened, the telescope can be connected to the Yoke (K) of the tripod head. Mount the Telescope Main Body (G) in the yoke (K), and adjust with the large Yoke Locking Knob (J). (Fig. 4)



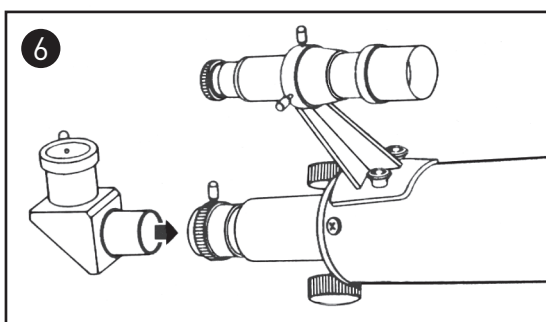
4

PLANET VIEW TELESCOPE science museum

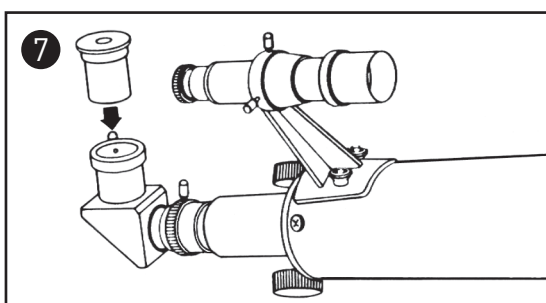
5. Remove the Finderscope (F) with Finderscope bracket (E) from the box. Then remove the two knurled thumb screws from the Telescope Main Body (G). Position the finderscope bracket on the telescope main body so that the holes in the base of the bracket line up with the exposed holes in the telescope main body. Return the two knurled thumb screws and tighten securely. (Fig.5)



6. Insert the Diagonal (C) into the Focusing Tube (B). Secure by tightening the corresponding fastening screws. (Fig. 6)

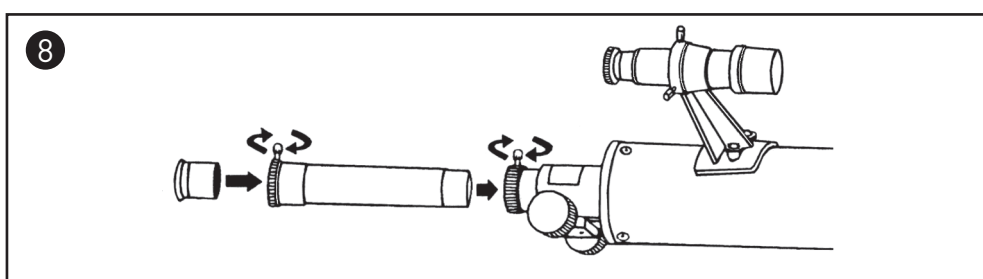


7. Insert the Eyepiece (D) into the Diagonal (C). This also has to be adjusted with the small fastening screw. (Fig. 7)



NOTE: View will appear erect but as a mirrored image. Remove the diagonal and insert the erecting eyepiece to correct the mirrored image.

8. For use of the Barlow, remove the diagonal and insert Barlow into Focusing Tube (B). Secure by tightening small retaining screw. Insert Eyepiece (D) into open end of Barlow. (see Fig. 8)



5

PLANET VIEW TELESCOPE science museum

Your telescope is now fully assembled and ready for use. For maximum enjoyment and full utilization of your telescope, please refer to the "SPACE MAP" included in the box.

CAUTION: Viewing the sun can cause permanent eye damage. Do not view the sun with the Telescope Finderscope or even with the naked eye.

BEST USE OF THE TELESCOPE

Since astronomical telescopes are high in magnification and narrow in field of view, it is rather difficult to catch a particular star among a great number of stars and to follow its movement. The crux of succeeding in the observation is to master the use of an astronomical telescope.

HANDLING

Do not handle the telescope violently. In particular, when the body tube is carried, be sure not to bump or drop it.

ASSEMBLING

If the star is difficult to catch and, when caught, is swinging and hardly observable, this is most often due to poor assembly of the telescope.

1. Check closely to make sure that the clamp screws of the footings as well as the screws of the stage are kept tight.
2. Adjust the balance of the body tube so that its front and rear parts are equalized in weight.

OBSERVATION SITE

Since it takes considerable time to observe a star, the telescope should be set at a properly selected site.

1. Select an open site where light is at a minimum and the largest possible celestial area can be seen.
2. Place such parts as the eyepiece on the Accessory Tray (N), or keep them in a small box.

ADJUSTING THE FINDERSCOPE

Since the telescope has a limited field of view, it can be quite difficult to locate a given star or planet. For this reason the telescope is fitted with a Finderscope (F) with reticule for orientation. It is advisable to complete the following settings in daylight:

1. Insert the Eyepiece (D) with the lowest magnification in the Diagonal (C). Look at a stationary, easily recognizable object that is not further away than 300 m. Turn the telescope with the horizontal axle, and move the vertical axle until the object is in the middle of the field of view, and then focus the image. Tighten the adjusting screw on the mount so that the telescope remains in this position (the higher the object is above the horizon, the easier it is to locate).

6